

11.15	BBC	E	648	5975	6045	7325	9410	9750	12095
12.30	RSI	E	15190	17740	21570				
13.30	RCI	E	9635	11855	17820				
14.15	RSI	E	11905	17740					
15.45	RSI	E	17890	21610					
15.15	Feba Radio	E	9590	11865	15330				
15.15	R.Budapest	D	7220	9585	9835	11910	15160	15220	
15.35	WCSN (1.)	E	21780						
16.00	R.Kiew (1./3.)	D	6010	6090	6155	7240	7350		
16.05	RBI	D	6155	11780	13730	21490			
16.30	RSI	D	1179	6065					
16.40	Kiev	D	6010	6090	6155	7240	7350		
17.30	RSI	D	1179	6065	9615				
17.35	WCSN (1.)	E	21640						
18.00	RSI	E	1179	6065	7265	11845			
19.10	RCI	E	15260	17820					
19.45	R.Moskau	D	1323	6145	7340	7360	7390	12040	
22.30	RSI	E	1179						
22.45	R. Polonia	E	1503	5995	6135	7125	7270		
22.30	RFPI (CTR)	E	21565	25945					
23.20	R. Polonia	E	738	1206	1503	5995	6135	7125	7270

MITTWOCH

01.00	RSI	E	15405	17860					
03.00	RFPI (CTR)	E	21565	13660					
04.00	RCI	E	11790	15275					
06.40	R. Polonia	E	7270	9675					
10.00	R. Budapest	D	9585	9835	11910	11925	15160	15220	
10.40	R. Kairo	D	9900						
14.45	FEBC Manila	E	11850						
15.00	R. Moskau	D	1323	6145	7340	7360	7390	12040	
15.15	R.Budapest	D	7220	9585	9835	11910	15160	15220	
17.30	RAE	E	15345						
18.15	BRT	D	1512	5910	13675				
18.47	BBC	D	648	6125	9915	92,20(Berlin)			
19.40	R.Kairo	D	9900						
20.00	RAE	E	15345						
21.30	HCJB	E	15270	17790					

DONNERSTAG

01.30	WRND	E	7355						
01.30	BBC	E	648	1296	3975				
02.00	RAE	E	9690						
04.00	RAE	E	9690						
04.15	BBC	D	648	3975	6010	90,20(Berlin)			
04.30	R.Moskau	D	1323	7230	7360	7420	9450	9775	12010
07.50	R.Nederland	E	9630	9715					
08.45	BRT	D	6035	11695	13675				
10.00	R. Budapest	D	9585	9835	11910	11925	15160	15220	
11.50	R.Nederland	E	5995	9715	17575	21480	21615		
14.50	R.Nederland	E	5955	13770	15150	17575	17605		
15.15	R. Budapest	E	7220	9585	9835	11910	15160	15220	
15.50	FEBA Manila	E	9590	11865	15325				
16.40	RSA	D	17790	21590					
17.15	R. Bangla Desch (4.)	E	7520	11514					
18.50	R.Nederland	E	6020	15560	17605	21685			
20.30	R. Afrika	E	7190						
20.50	R.Nederland	E	9860	13700	15560				
22.20	R. Vilnius	E	666	6100					

FREITAG

00.00	WRND	E	7355						
00.00	R. Sofia	E	11680	15330					
02.50	R. Nederland	E	9590	11720					

06.50	R. Prag	D	6055	7345	9505				
10.00	R. Budapest	D	9585	9835	11910	11925	15160	15220	
10.30	R. Australia	E	5995	6020	6060	9580	9770	15415	
11.40	R. Moskau	D	261	1323	9450	11745	13715	15540	
18.00	R. Portugal	E	11820	15250					
19.00	R. Portugal	E	11740						
19.20	R. Polonia	D	1287	6055					
20.00	RFPI (CTR)	E	21565	25945					
20.15	R. Portugal	E	11740						
20.40	RAE	D	15345						
21.30	R. Sofia	E	9700	11660	15330				

SAMSTAG

00.30	RFPI (CTR)	E	21565	25945					
01.40	HCJB	E	15155						
03.00	WRND	E	6185						
05.05	RBI	D	6015	6155	13730	15410	21490		
06.00	HCJB	D	9610	11835					
06.55	KBS Seoul	D	7550	13670	15575				
07.40	R. Sofia	E	11720	15160	17825				
08.00	HCJB	E	9585	9610					
08.05	RBI	D	6155	13730	15450	21490			
08.50	SRI Bern	E	9560	13685	17670	21695			
09.00	KTWR Guam	E	11805	15200					
09.40	RSA	D	21590						
10.15	R. Budapest	D	7220	9585	9835	11910	15160	15220	
10.30	R. Budapest	E	7220	9385	9835	11910	15160	15220	
10.25	KBS Seoul	D	13670						
10.25	RFPI (CTR)	E	7374						
10.30	R. Budapest	E	7220	9585	9835	11910	15160	15220	
10.30	RBI	E	15450						
11.00	R. East Afrika	E	9585						
11.05	RBI	D	6155	13730	15430				
12.00	R. Bukarest	D	9590	9690	11940	15365			
12.30	RBI (1.)	D	6115	9665	13690	17775	17880		
12.30	BRT Brüssel	E	17555	21810					
12.48	SRI Bern	E	6165	9535	12030				
13.15	ERF	D	7160	9795					
13.40	RSA	E	17710	21590	25790				
13.45	R. Tashkent	E	5945	9540	9600	11785	15470		
14.05	RBI	D	6155	11780	13730	21490			
14.15	KTWR Guam	E	11895						
16.05	RBI	D	6155	11780	13730	21490			
16.30	KSDA AMR Guam	E	11980						
16.45	RSA	D	17765	21590					
16.50	R. Jugoslawien (2/4)	D	7215	9620					
17.30	BRT	E	1512	5910	13675				
17.55	KBS	D	7275	9515					
18.30	RBI	D	1359	1575	6115	7170	9635	9760	
18.30	HCJB	D	15270	17790					
18.40	R. Prag	E	5930	7345	11855				
19.00	R. Bukarest	D	5955	7195	7225	9510	9690		
20.00	TRT	D	9795						
20.05	RBI	D	5945	6155	9870	13730			
21.00	BRT	E	1512	5910	9925				
21.10	R. Prag	D	1287	6055					
21.10	KBS Seoul	D	6480	15575					
21.30	HCJB	E	15270	17790					
21.30	TRT Ankara	E	9795						
22.00	R. Habanna	E	11850						
22.05	RCI	E	9670	11945					
22.10	RHC	E	11930						
22.20	R. Vilnius	E	666	6100					

23.00	FEBC Manila	E	15480						
23.30	WRND	E	15420						
23.30	KSDA AWR Guam	E	15125						
23.37	RCI	E	5960	9755					
-----									
SONNTAG									
02.15	TWR Bonaire	E	9535	11930					
02.30	KSDA AWR GUAM	E	13720						
02.30	R.Australien	E	15160	15180	15240	15320	15395	17715	17750
02.45	RSA	E	9580	9615	11935				
02.55	RöI	D	9870						
03.15	SRI Bern	E	6135	9725	9885	12035			
03.55	RFPI (CTR)	E	7374						
05.26	R.Japan	E	5990	11870	15270	17765	17810		
06.30	RBI	D	5965	6115	7185	9760	11970	13610	13690 15445
06.45	AWR	E	7125						
07.30	R.Australien	E	9655	15395	17715	21740			
07.30	RöI	E	6155	13730	15450				
07.36	R.Japan	E	15270	15325	17810	21695			
07.40	KBS	D	7550	13670	15575				
07.45	KTWR Guam	E	15120						
07.55	RöI	D	6155	13730	15450	21490			
08.15	AWR-Sines	E	9670						
08.30	RBI	D	6040	6115	7185	9730	11890	15240	17880 21465
09.26	R.Japan	E	11840	17810					
09.30	R.Budapest	D	7220	9585	9835	11910	15160	15220	
09.30	IFRS (2.)	E	9860						
10.10	RöI	D	6155	13730	15450				
11.00	RSA	E	25790						
11.20	RFPI (CTR)	E	7374						
12.00	R. Tashkent (2.)	E	7325	9600	9715	11785	15455	15460	15470
12.30	R.Australien	E	6080	7205	7215	9580	9770	11800	21740
14.10	RSA	E	11925	17755	21590	21670	25790		
14.30	RöI	E	6155	11780	13730	21490			
14.30	R. Australia	E	5995	6060	6080	7205	9580		
15.26	R.Japan	E	15140	21700					
16.00	WRND	E	11965						
16.00	R.Sofia (1./3.)	D	11720	15330					
16.10	R. Polonia	D	1503	5995	6095	11815			
17.00	R.Prag	D	1287	6055					
17.00	R.Moskau	D	1323	6145	7340	7360	12040		
17.30	R.Australien	E	6035	6080	7205	7215	9580		
17.55	RöI	D	5945	6155					
18.00	R. Kiev	E	6010	6090	6155	7115			
18.07	RCI	E	13670	15260	17820				
18.40	RSA	E	17795	21535					
19.30	REE-Madrid	E	11790	12035	15375	15395			
19.50	R Jugoslawien (2/4)	D	7215	9620					
20.00	WRND	E	13720	15420					
20.30	R.Australien	E	9710	11800	11910	15130	15160	15320	15465
20.30	RFPI (CTR)	E	21565	25945					
21.35	RCI	E	15325	17875					
21.50	KOL Israel	E	11605	12077	15640	17575	17630		
22.20	R. Vilnius	E	666	6100					
23.07	RCI	E	9755	11730					
23.26	R.Japan	E	11835	15195	17765	17810	21610		
23.30	KSDA AWR GUAM	E	15125						

Alle Angaben ohne Gewähr. Korrekturen und Änderungen bitte dem zuständigen Redakteur mitteilen. E = Englisch D = Deutsch

Источник: бюллетень "АКТУЕЛЛ" западногерманского "RMRS" №3, 1990.  
Читатели "ЭДН" могут самостоятельно внести предлагаемый список  
возможные частотные изменения на осенний и зимний период 90-91 гг.

DX - ing USSR.

Edited by A.Osipov.

R.ALMA-ATA 2 was heard on new frequencies 7280 at 0837, 11825/15360/15385 at 1615. VO.

R.TASHKENT uses the new 17740 for its English broadcast at 1200-1230. Others freq. are 7325/9715/11785/15460. VO.

ALL UNION RADIO 2nd program MAYAK was heard on the new 4760 at 1518(4930 is in parallel). VO.

R.KIEV in Ukrainian 0218-0229 11790/11675/13645/15180/18455/15525. VO.

R.KIEV in Moldavian 1600-1630 1467/891/657, 1830- 13795, 2000- 13795/1467/891/657. BBCM via BRT Radio World.

R.ALMA-ATA in German on Saturday 0900-0945 180/4545/6180/9780/11950. AK.

RADIOSTATION "EUROPE PLUS MOSCOW" daily 1500-2100 on 69.8 MHz(15 kw) in Stereo. Antenna is 450 meters high(1116 kHz is in parallel). They plan to extend broadcasting time to 15 hours daily and later to 24 hours. AK.

RADIO MOSCOW BRASILIAN SERVICE presents 20-minute "Onda-DX" program in Portuguese on Wednesday at 2325 (sometimes also repeated on Sunday). Yuri Gromov is the program host. The frequencies are: 15475/15510/15585/17595/17680/17785/17880 (feeder channel 18135 SSB). AN.

New independent commercial station "ECHO OF MOSCOW" is going to start its broadcasts on 1206 MW in Moscow region. The station has been set up by Moscow Coucul of People's Deputies(Mossovvet), "Ogonyek" magazine and organization of journalists. AP.

ALL UNION RADIO and KNLS Alaska have signed the agreement on cooperation in preparing religious programmes for soviet audience in 1991. AP.

R.TASHKENT-METEO was heard at 1410 in English on 10091(Moscow meteo/Novosibirsk meteo/Irkutsk meteo/Khabarovsk meteo are reported also on this frequency.All in English - ed.). VA.

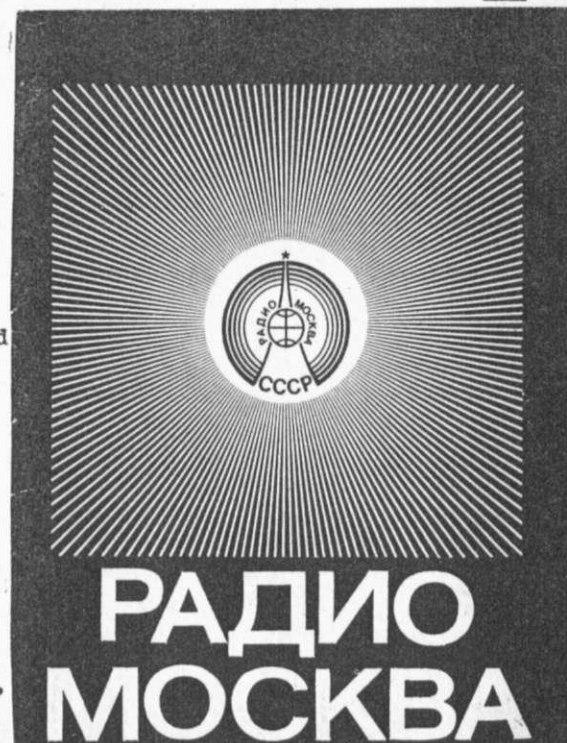
RIGA RADIO broadcasts "Radiobulletin" program at 1430-1500 on 12671.5 in RTTY. AIP.

KALININGRAD RADIO broadcasts "News Review" at 1500-1600 on 8454/13054/16927/22403/26158 in RTTY. The program consisted of info from Tallinn Radio, review of "Soviet Estonia" and "Youth of Estonia" papers and news from Kaliningrad. AIP.

KLAIPEDA RADIO at 1530-1600 on 8541 in RTTY(Shift is 170 Hz at 50 baud rate for all marine RTTY transmissions above). AIP.

RADIO MINSK in Belorussian daily to W.Europe 1730-1800 7330/9600/11780/11960, 2030-2100 6185/7205, 7300. To N.America 2230-2300 11790/13645/15180/15465/15485. VP.

Thanks to 7 contributors: VO=Valery Ostroverkh, AK=Anatoly Klepov, AP=Alexey Puteyev, AIP=Alexey I.Potapov, AN=Andrey Nekrasov, VA=V.Antonov, VP=V.Petukhov.





# SHORTWAVE TIPS

Compiled by M.Timofeyev.

1188	1430-1500	KOR	HLKX,4/7,Ru religious talk	34332	FB
1699.7N	1707-1711	URS	R.Belomorkanal (pirate),Moscow,6/6,songs,new tx	55555	AN
1797.9N	2004-2009	URS	R.Belomorkanal (pirate),3/6,songs,new tx	55555	AN
2310	2108-2120	AUS	ABC Alice Springs,3/8,E ann(YL),pop songs,//2325,but not 2485 kHz	24433	MPT
2325	1944-	AUS	ABC Tennant Creek,4/8,pop mx,//2310 kHz	14322	MPT
2340	2055-	CHN	Fujian PBS,Fuzhou,10/8,C talks,QRM:MW harm.	23442	MPT
2420	0150-0205	B	R.Sao Carlos,11/8,Brazilian songs,P ann,ID's	24333	MPT
2432.5	1959-2005	INS	RRI Banda Aceh(acc.to TBS17),3/8,"Song of the Coconut Island"(=IS),nx,weak,strong local QRM	14221	MPT
2485	2050-2055	AUS	ABC Katherine,3/8,E ann(OM),country mx,localQRM	14322	MPT
2560	2203-2207	CHN	Xinjiang PBS,Urumqi,3/8,C talk(YL),period.RTTY	34434	MPT
2849.9	1720-	KRE	KCBS Pyongyang,11/8,Korean traditional orchestral mx,UTE QRM	33433	MPT
2939.4v	Noo35-0145	AGL	R.Nacional,Luanda,28/7,P,OM/YL dialogues with phones,night mx,0100 ID,nx in brief,very stable reception!QRM:soviet meteo tx's,tent.//7245	44444	MPT
3200.3	0159-0210	BOL	R.9 de Abril,Planty Industrial de Pulacayo,11/8,S talk,musical fragments,local mx,strong QRM	23322	MPT
3205	1644-1649	IND	AIR Lucknow,11/8,indian folk melodies,Vn ann	23432	MPT
3220	0213-0219	EQA	HCJB Quito,11/8,S talk,ment."congresso nacional",//6050 kHz	24332	MPT
3235	1514-	IND	AIR Guwahati,18/6,Hindi nx,1515 ID,talk on Pakistan	33232	VNO
3235	1650-	IND	AIR Guwahati,11/8,Indian song,clear channel	25433	MPT
3240	1754-	SWZ	TWR Manzini,11/8,native singing,under UTE tx	2---1	MPT
3270	1903-1910	NMB	NBC Windhoek,10/8,Vn nx(OM),1907 jolly my,talk, song	33433	MPT
3277	1652-	IND	R.Kashmir,Srinagar,11/8,indian folk mx,RTTY QRM on 3275 kHz	43443	MPT
3280.0	1722-1732	MOZ	R.Mozambique,Beira,11/8,afropop,Vn ann,1730 relay Maputo("Erriendo Journal"),//4864.8 and 9618.7 kHz	24433	MPT
3290	0240-	NMB	NBC Windhoek,11/8,night mx(non stop),UTE QRM	22432	MPT
3295	1654-	IND	AIR Delhi,11/8,indian folk mx,//3315 kHz	44444	MPT
3310.3	0226-	BOL	R.San Miguel,Riberalta,11/8,S talk(OM),weak RTTY/Heterodyne QRM	34433	MPT
3315	1655-	IND	AIR Bhopal,11/8,indian folk mx,//3295 kHz	24433	MPT
3316	2102-2110	SRL	SLBS Freetown,10/8,E nx(OM),periodic UTE QRM	23432	MPT
3346N	1733-1805	ZMB	ZBS Lusaka,11/8,E talk(by OM's),native singing,1759 ID"this is Lusaka",E nx(OM),//4910 kHz	33443	MPT
3365	1656-	IND	AIR Delhi,11/8,indian folk mx//3295,3315 kHz,E ann(national programme of music"	34433	MPT
3365	1735-	SWZ	TWR Manzini,11/8,Pedi(Tswana) talk,under AIR	22432	MPT
3365	0220-0225	B	R.Cultura,Araraquara,11-12/8,P ann(OM) with musl. fragments,folk song	24433	MPT
3366	2056-2104	GHA	GBC Accra,3/8,A ann(?),Quran(?),E talk,ID:"This is the commercial service of the Ghana Br.Corp"	44444	MPT
3473v	0155-0204	BOL	R.Padilla,11/8,ballades,no ann,close down	34443	MPT
4238.1	0203-0207	PRU	R.Inca,Banos del Inca,12/8,S ann,local mx,weak and blocked by CW	21321	MPT
4419	0156-0201	PRU	R.Frequencia Lider,Bambamarca,12/8,S ann,peruvian mx,very weak and rare here!	14321	MPT
4461.8	0225-0235	PRU	R.Norandina,Celendin,12/8,S talk,musical fragments,QRM from 4465 kHz feeder	23422	MPT
4649.4	0217-	BOL	R.Santa Ana,Santa Ana de Yakuma,12/8,Bolivian mx,songs	24322	MPT
4648	0033-0041	BOL	R.Santa Ana,Santa Ana de Yakuma,22/6,S,info	14541	AN
4681.4	0236-	BOL	R.Paititi,11/8,Bolivian song	24322	MPT

- short wave tips -

4699.8	0235-	BOL	R.Riberalta,11/8,S talk(OM),weak	14--1	MPT
4719.8	0230-0234	BOL	R.Abaroa,Riberalta,11/8,S talk(OM),no ID,folk mx,weak RTTY QRM	24422	MPT
4719.4v	1554-1609	INS	RRI Ujung Padang,11/8,Indonesian songs,"Song of the Coconut Island",nx //5256.3 & 5046v	24432	MPT
4824.2v	0242-0304	PRU	La Voz de la Selva,Iquitos,11/8,Peruvian/Ecuadorian mx,S talk(YL/OM),a lot of ID's,final ann,peruvian NA,heterodyne QRM	43443	MPT
4829.5v	2142-2202	MNG	Altai,Gobi-Altai Prov.,3/8,Mongolian YL/OM talk, fragments of mx,2200 6TS,march mx	24433	MPT
4834.9	0150-0154	PRU	R.Maranon,Jaen(tent.),12/8,final S ann(OM),peruvian NA,heter. QRM	23432	MPT
4835	2015-2020	MLI	Rdiff.TV Malienne,Bamako,14/6,F,info,mx	23542	AN
4835	/2131-2140	AUS	ABC Alice Springs,3/8,E telephone reports about Iraqi aggression,nx,heard//4910 and stronger than Bamako!	23432	MPT
4845	0140-0147	B	R.Caboola,Manaus,12/8,P ann(OM),Brazilian mx, heter. QRM	23422	MPT
4850	2315-2348	CME	GRTV Yaounde,4/7,F,talk by OM,songs	55444	VNO
4850	2024-2029	CME	GRTV Yaounde,14/6,F,song,info	25532	AN
4870	1630-1636	CLN	SLBC Ekala,11/8,religious chants	25332	MPT
4902	1552-1600	CLN	SLBC Ekala,19/6,Sinhala,talk by OM,1600 ID	23222	VNO
4905	2031-2036	TCD	Rdiff.Nationale Tchadienne,N'djamena,14/6, ? language(Ed.: French or Arabic)	13422	AN
4910	2135-2140	AUS	ABC Tennant Creek,3/8,E nx,heard//4835 kHz	23332	MPT
4910.1	2038-2054	ZMB	ZBS Lusaka,10/8,Vn talks,nx,pop mx,UTE QRM	23432	MPT
4915	2338-0005	B	R.Anhanguera,Goiania,3/7,P,OM messages and songs,ID's,QRM:RTTY	32332	VNO
4919.9	0238-	EQA	R.Quito,11/8,S talk(OM),RTTY QRM	32442	MPT
4945	0240-	BOL	R.Illimani,La Paz,12/8,non stop pop mx,//6025	34433	MPT
4985	2345-0054	B	R.Brasil Central,Goiania,3,10/6,P,info,songs	35443	AN
4990	2039-2044	NIG	FRON Lagos,14/6,?language,info,song(Ed.:in E!)	13422	AN
4991	0236-0239	PRU	R.Ancash,Huaraz,12/8,S ann about px of peruvian mx,songs,CW QRM	23433	MPT
5004	2006-2141	GNE	RNGE Bata,14,17/6,S,info,song,dance	33533	AN
5005	1415-1425	NPL	R.Nepal,4/7,E nx,QRM: TS stn RID on 5004	32442	FB
5026	1748-	UGA	R.Uganda(tent.),5/7,Vn,talk by OM,QRM:heterod.	43333	VNO
5046v	1559-1605	INS	RRI Yogyakarta,11/8,"Song of the Coconut Island",Indonesian nx//5256.3,4719.4	24422	MPT
5052	1545-1604	SNG	Radio One,SBC,11/8,E ann(YL),ballades,ID:"This is SBC,the news in brief..."wx,sked,NA,//5010	34444	MPT
5097.2	0213-0216	PRU	R.Eco,Iquitos,12/8,peruvian songs,CW QRM,first heard here!	22422	MPT
5256.3	1552-	INS	RRI Sibolga,11/8,Indonesian songs	24333	MPT
5965v	0006-0016	???	UNID LA,10/8,S ann,songs,tent.R.Nacional,BOL?	12--1	MPT
5980v	2321-	B	R.Guaruj,Florianapolis,3/8,P dialogues,OM/YL ann with mx,ment."Florianapolis"	24433	MPT
5985N	1947-1955	COG	La Voix de la Revolution,Brazzaville,3/8,pop mx,F ann,//4765 and ex.3265 kHz,QRM:rFE Biblis	23432	MPT
5990N	1415-	URS	R.Alna-Ata,HS-2,28/6,Kazakh,Kazakh songs concert =2-VNO		
6000	2248-2251	B	R.Guaiba,Porto Alegre,3/8,P talk by OM	13422	MPT
6010	2252-2254	B	R.Incofidencia,B.Horizonte,3/8,P talk by OM	24432	MPT
6015	1700-1715	TZA	R.Tanzania,Zanzibar,11/8,Swahili talk,politics, comments,under soviet HS tx,//11734.4 kHz	1--1	MPT
6020	2255-2308	B	R.Gaucha,Porto Alegre,3/8,P talk by OM,6 TS at 2302!,ann,ID's	24432	MPT
6025	2228-2235	MLA	R.Malaysia,Kuala Lumpur,10/8,C ann,Malay nx, strong QRM from Budapest(?)	22432	MPT
6025	0112-0115	BOL	R.Illimani,La Paz,12/8,Bolivian songs,//4945	24422	MPT
6030	2304-2308	B	R.Globo,Rio,3/8,P talks by OM/YL(Brazilian nx?),QRM:heterodyne	23432	MPT
6050	2210-2215	NIG	FRON Ibadan,3/8,Vn,native talk and singing, E ann,mx	25443	MPT
6055.3	2310-2314	PRU	R.Continental,Arequipa,3/8,LA mx,very weak	15311	MPT
6105.3	2315-2320	BOL	R.Panamericana,La Paz,3/8,S talk by OM with mx,heterodyne QRM	23442	MPT

- short wave tips -

6115.9 0000-0010 CLM La Voz del Llano, Villavicencio, 11-12/8, S ann, ID, "noticias de Colombia" 24433 MPT  
 6130 2020-2035 GHA GBC Accra (tent.), 3/8, afropop, F ann after DW close down at 2019 24322 MPT  
 6135 2335-2344 B R. Aparecida, 10/8, P talk, under R. Polonia 13422 MPT  
 6160 0101-0110 CAN CKZN St. John's, 11/8, E nx, 0106 ann "news from CBC" & "CBC Radio", adv 24433 MPT  
 6180 2204-2209 B R. Nacional, Brasilia (acc. to ILG, 250 kw=Ed.), 10/6, P song, close down at 2258x 33533 AN  
 6210 2313-2319 KXX R. Caroline (tent.), 23/6, via UNID tx, E, songs, info 34543 AN  
 6225 2225-2230x KXX Radio SBS (pirate), 23/6, G, info, song 35543 AN  
 6271.6 2341-2346 XXX Radio Sk... (pirate), 23/6, S, song, info 23543 AN  
 6305 0126-0131 KXX R. Camillo Cienfuegos, 3/6, S, songs, info, cland.! 14441 AN  
 6325 2233-2237 KXX R. Voice of Khmer (cland.), 9/6, Cambodian, songs 25442 AN  
 6445.3v 1510-1515 VTN Hanoi HS, 11/8, Vietnamese songs, ann (YL), //10059 kHz 24332 MPT  
 6724.3 0305-0307x PRU R. Satellite, Santa Cruz, 11/8, final peruvian NA, short S ann (OM) 24432 MPT  
 7185 0314-0332 URS R. Kazan, 24/6, Tatar, IS, ID in Tatar and Ru, press, songs 53533 VNO  
 7188.9 2118-2124 GNE Voice of Africa, Bata, 10/8, E religious talk, QRM: 7190 kHz RFE 23422 MPT  
 7198.1 1705-1716 AFG R. Afghanistan (tent.), 3/8, Vn nx by OM, QRM from 7200 kHz, 1715 tent, musical ID 33433 MPT  
 7255 1933-1946 NIG Voice of Nigeria, 3/8, local px, native singing, ID: "This is the Voice of Nigeria broadc. from Lagos" 44444 MPT  
 7290 /0257-0330x SWZ TWR Manzini, 12/8, IS & ID's, 0300 Swahili px, mx, ID's, songs 24433 MPT  
 7295 1530-1545 MLA R. Malaysia, 3/8, E ann (OM), pop songs, QRM: from RFE Munich in Cz, R. Moscow in Ru & RBI/1545 32432 MPT  
 7538 2046-2054 I Voice of Europe, 30/7, mx, talk, E ID 15341 FB  
 7538.6 2128-2135 I Voice of Europe, 10/8, pop mx, E ann (YL), ID, adr 34434 MPT  
 9115 2227-2232 ARG R. Continental, 21/6, S (feeder), info, songs 23542 AN  
 9540 2341-2348 B R. Educ. da Bahia, 3/8, P talks, advs, mus. fragments 24333 MPT  
 9618.7 1716- MOZ R. Mozambique, 11/8, P talk (OM), afropop, //4864.8 14422 MPT  
 9640 2323-2330 VEN Ecos del Torbes, S, Cristobal, 10/8, S interview, ann, ID's, mx 24433 MPT  
 9655 /1130-1150 THA R. Thailand, 20/6, E, IS and ID, freq, mx, QRM: heter. 33343 VNO  
 9655 2326-2330 THA R. Thailand, 3/8, E talk (YL), song, weak 14322 MPT  
 9680 1420-1505 INS RRI Jakarta (tent.), 11/8, long talk, singing and speeches, tent. //4774.8 kHz 34443 MPT  
 9684.0 1718-1722 TZA R. Tanzania, Dar-Es-Salam, 3/8, E dialogues, strong QRM from 9685 tx's, "S" peak: 33433 MPT  
 9740N /0230-0300 URS R. Vatandosh, Tashkent (new stn?), 8/7, Uzbek, ID, nx, songs, //7325, 7335, 11960 kHz 54554 VNO  
 9855N 1606-1611 NZL R. New Zealand Intl, 9/6, E, songs, info 44544 AN  
 9941.6 0156-0159 KXX R. Camillo Cienfuegos, 3/6, S, mx 44544 AN  
 11100 1954-1957 CHN CPBS Taiwan 1 Sce, Beijing, 2/6, C, mx, info 45544 AN  
 11785N 1533-1536 GUM KTWR Agana, 16/6, E, songs, info 43553 AN  
 11785 1250-1300x INS Voice of Indonesia, 4/7, mx, E talk, sked, E anns 34444 FB  
 11800N /1430- AUS R. Australia, Carnarvon, 18/6, E, ID, freq, talk on theatre, ex. 12000, //7215, 13745 kHz 43433 VNO  
 11818.0 1610-1613x MOZ R. Mozambique, 11/8, P talk (OM), QRM from co-chan. 23422 MPT  
 11825N 1405- URS R. Alama-Ata, HS-2, 21/6, Kazakh, weather nx by YL/OM, reports 54554 MPT  
 11925 0005-0046 B R. Bandeirantes, Sao Paulo, 9/7, P, tennis, song, talk by OM, advs 22322 MPT  
 11925N 0302-0306 EQA HCJB Quito, 27/5, Ru, Cristian px, song 43543 AN  
 13780N 1501- MNG R. Ulan Bator, 17/6, E, Mongolian song, talk by OM, song, QRM: DW in G 43433 VNO  
 15190 1654-1701 COG La Voix de la Revolution, Brazzaville, 3/8, F talk by YL, afropop, ann, close down and moved to 4765, QRM: RFI Issoudun 32432 MPT  
 15195 1233-1242 BGD R. Bangladesh, 25/7, E nx, ID 54444 FB

15245N 0327-0402 KWT R. Kuwait, 10/7, A, freqs ann, ID, A song 45444 VNO  
 15270N 1624- URS R. Alma Ata, HS-2, 15/6, Kazakh, Kazakh song, //9505, 15360, 15385 kHz 43443 VNO  
 15490N 0056- PHIL FEBC Manila, 21/7, E, nx, ann by YL, ID, QRM: R. Moscow (SSB) in Ru 12322 VNO  
 17715N 1618- URS R. Alma-Ata, HS-2, 15/6, Kazakh, Kazakh mx, OM talk 43443 VNO  
 17730N 1604- URS R. Alma-Ata, HS-2, 15/6, Kazakh, Kazakh song, OM talk, QRM: URS+UNID, //9505 kHz 42432 VNO  
 17765N 1612- URS R. Alma-Ata, HS-2, 15/6, Kazakh, OM talk, //9505 kHz 42432 VNO  
 17765N 0744- KRE R. Pyongyang, 26/6, E, talk on reunification, QRM: R. Moscow in E? 42432 VNO  
 17895 1341-1346 D R. Free Afghanistan (cland.), 28/6, Pushto, info 53544 AN  
 17895 1403-1406 PAK R. Pakistan, 18/6, Pushto?, info 33543 AN  
 21450N /0157-0232x PHIL R. Veritas Asia, 6/7, Urdu, nx & ID's, talks, songs 15333 VNO  
 21470N 0259- EQA HCJB Quito, SSB tx, 26/6, Colombia, cocaine maphya drugs, //17875 kHz 15322 VNO  
 21530N 1240- PAK R. Pakistan, 15/6, A, native songs, //17555 kHz 34333 VNO  
 21564.7 1909-1914 CTR R. for Peace Intl, 11/8, E economocal dialogues (OM) 25432 MPT  
 21565 0200-0215 CTR R. for Peace Intl, 17/6, E, ID, UN nx, WORLD OF RADIO 15222 VNO  
 21735 /1115- IND AIR GOS, 26/6, E ID, YL ann, song, QRM: Abu-Dhabi 21441 VNO  
 21825 1130-1133 R. Australia, Darwin (250 kw), 21/6, E, info 35533 AN

Thank you very much to 4 contributors:

AN -	Andrey Nekrasov, Moscow	R-250M, Riga-103	Horisontal
FB -	Fedor Brazhnikov, Irkutsk	?	?
VNO -	Valery N. Ostroverkh, Karaganda	Home made	50 m 1 w
MPT -	Mikhail P. Timofeyev, Leningrad	R-250M	4x100m rombic

DX - PEKJAMA



THE DANISH SHORTWAVE CLUB INTERNATIONAL

Be a member of a

REAL DX-CLUB

and share your dx-experiences with other members in more than 50 countries through

SHORTWAVE NEWS  
(our monthly in English)

The only magazine where you will find regular updates to the Tropical Bands Survey!  
special emphasis on shortwave news and tips and our

DX-NEWS PROGRAMME

in English every Sunday via A. W. R. Sines in Portugal join the

DANISH SHORTWAVE CLUBS INTERNATIONAL

Tavleager 31, DK-2670 Greve Strand, Denmark

PS.: Please enclose 4 IRC's (6 IRC's airmail)  
for a sample copy of "SWN"

DX - PEKJAMA



# КЛУБНЫЕ НОВОСТИ

Ведущий рубрики: А.Осипов.

**БОЛГАРИЯ.** Болгарские ДХ-исты сообщают о намерении создать в нынешнем году Болгарский ДХ-клуб (Bulgarian DX-Club). Они рассказывают о своих трудностях, недостатке ДХ-информации, справочников, международных ответных купонов и обращаются к ДХ-истам и ДХ-организациям с просьбой о помощи. Кстати, болгарские ДХ-исты очень интересуются местными станциями (частоты, время, адреса и др.), работающими в диапазонах СВ и ДВ в СССР. Адреса для контактов:

Mr. Roumen Pankov, P.O. Box 199, SOFIA-1000, Bulgaria.  
Mr. Ivan Penev, P.O. Box 47, SOFIA-1111, Bulgaria.  
Mr. Stoyan Kovatchev, As. Zlatarov Street 23-25, ap. 11, Haskovo, 6300, Bulgaria.

**ЧЕХО-СЛОВАКИЯ.** 10 февраля 1990 года на общем собрании ДХ-истов в Праге объявлено о создании "ЧЕХОСЛОВАЦКОГО ДХ-КЛУБА". Заявка на регистрацию подана в Министерство Внутренних дел. На сегодня зарегистрировалось порядка 100 человек.

Членом клуба может быть любой ДХ-ист старше 12 лет из Чехо-Словакии или из-за рубежа. Годовой членский взнос составляет 50 чешских крон (15 марок ФРГ или 12-13 ответных купонов). Гарантируется получение 12 выпусков клубного бюллетеня DX-Review и права участвовать во всех клубных мероприятиях: регулярные летние "ДХ-лагеря", общеклубные собрания и др. Бюллетень DX-Review печатается на чешском языке объемом 16-24 страницы формата А-5 (150 x 210 мм). Основная проблема чехословацких ДХ-истов - недостаток высококлассной аппаратуры. Счастливицы обладают SONY ICF 7600 и SONY ICF 2001 D, полученными от родственников за границей. Наиболее популярны советские приемники VEF 201, 204 и 206, Selena, Vega. Также имеются советские военные приемники Р-250 и чешские военные аппараты Tesla Lambda 4 и Tesla Lambda 5. Для вступления в клуб надо переслать годовой взнос клубному казначей по адресу:

Jiri Krakora, Brigádníků, 1497/307, 100 00 PRAHA 10, Czechoslovakia.

**СССР.** Редакцией "ЭДН" получен первый выпуск бюллетеня "ДХ-ЛУЧ", издаваемого Ассоциацией Калининградских ДХ-клубов. Приводятся адреса издателей:

Денис Степанов, I4IO70 Московская обл., Калининград, пр. Космонавтов 2-214 (Клуб слушателей Радио Швеция).  
Алексей Пантелеев, I4IC70, Московская обл., Калининград-4, до востребования (Клуб слушателей станции Кей-Эф-Би-Эс).

**ФРГ.** Хорошо известный в Западной Европе Rhein-Main-Radio Club проводит очередной конкурс, посвященный 15-ой годовщине со дня основания клуба. Время проведения: 12.10.90. - 28.10.90. Для получения необходимой информации просьба писать по следующему адресу:

Eberhard Ahl, Friedberger Ldstr., 493, D-6000, Frankfurt/Main 60, Federal Republic of Germany.

Остается добавить, что членами этого клуба, помимо ведущего рубрики, являются также Г. Григорьев, В. Островерх и М. Тимофеев. Клуб имеет неплохой бюллетень с периодичностью 5-6 раз в год (см. вышеприведенную вырезку).

**КАНАДА.** Ontario DX Association (ODXA) подготовила "Foreign Language Recognition Course" на магнитофонной кассете 90 минут. Даны примеры 55 языков. Кассету можно заказать по следующему адресу (цена 6 \$ или 9 IRCs):

ODXA, P.O. Box 161-Station A, Willowdale, ONTARIO, M2N 5S8 CANADA.

**США.** Всемирная Лига Слушателей (World Radio Listeners League) предлагает своим членам помощь в пересылке рапортов о приеме на следующие станции:

1. VoA  
2. Radio RSA  
3. R. France Intl  
4. R. Bucharest  
5. BBC  
6. RBI  
7. R. Prague  
8. R. Budapest

9. R. Beijing  
10. R. Polonia  
11. RHC  
12. R. Japan  
13. VOFG  
14. REE Spain  
15. R. Moscow  
16. R. Yugoslavia

17. BRT Brussels  
18. R. Canada Intl  
19. TRT Ankara  
20. BRT Athens  
21. R. Australia  
22. R. Sofia

WRLI оказывает и другие услуги ДХ-истам всего мира. Для жителей СССР членство в WRLI - БЕСПЛАТНО. Для подробной информации пишите директору WRLI по адресу:

Tom Pailloz, WRLI, 4281 Sleepy Lake Drive Fairfax, Virginia, USA, 22033 - 2864.

**ДАНИЯ.** В Датском КВ Клубе еще остались подготовленные Финном Кроном "Clandestine Stations List". Список состоит из 14 страниц и содержит все известные частоты, адреса, QSL - политику и др. Цена - 6 IRCs (7 IRCs - авиапочтой). Заказ и плату присылайте на адрес клуба:

DSWCI, Tavleager 31, DK-2670 Greve, Denmark.

По этому же адресу можно заказать "Tropical Bands Survey" последнего выпуска (1990 года). Цена: 7 IRCs (8 IRCs - авиапочтой).

**ВНИМАНИЕ!** В июне мы получили совместное послание от ДХ ассоциаций Норвегии, Швеции и Дании. Наши соседи по Балтике планировали провести акцию благотворительности, подобную проведенной в 1987 году. Они просили сообщить адреса активных советских ДХ-истов для рассылки справочников WRTN -89. Справочники уже начали поступать в Союз. ПРОСИМ ВСЕХ ПОЛУЧИВШИХ WRTN -89, ПОДТВЕРДИТЬ ФАКТ ПОЛУЧЕНИЯ И СООБЩИТЬ ДАТУ ПОЛУЧЕНИЯ А.ОСИПОВУ.

## ПОЛЕЗНАЯ ИНФОРМАЦИЯ.

Станция "The Voice of Turkey" проводит конкурс. Задача - представить эссе (не более 2 страниц) на тему "Что я узнал из передач турецкого радио". Пятеро победителей получают возможность совершить полностью оплаченное путешествие по Турции. Пишите по адресу:

"Radio the Voice of Turkey", Contest-90, P.O. Box 333, Yenisehir, Ankara, Turkey.

The Danish Shortwave Clubs International  
Tavleager 31, DK-2670 Greve, Denmark.

**EUROPEAN FM-HANDBOOK** содержит информацию обо всех европейских УКВ-станциях. Третий выпуск этой книги вышел в мае 1990 года. Помимо европейских, содержится также и информация по ближневосточным и североафриканским станциям. Даны, помимо прочего, адреса станций (включая "итальянцев"). Публикация включает и карты. Цена книги 140 финских марок (за пределами Европы 160), деньги необходимо внести в финский Postal Giro Account, Helsinki 2218 98-4. Об этом сообщает Tine Leponiemi, Box 7, 05901 Hyvinkää, Finland.

## РУССКАЯ РЕЛИГИОЗНАЯ ПРОГРАММА «БЛАГОВЕСТ»

Религиозные радиопрограммы, транслируемые на русском языке Католическим Центром Св. Кирилла и Мефодия по рабочим дням и по субботам в 20:50 и воскресеньям в 10:30 и 21:20 (по московскому времени) - частота 25 м., 12.020 кгц.

Религиозные новости со всего мира, разъяснения Библии и положений веры, духовные и молитвенные программы, беседы с молодежью, программы для детей и многое другое!

Та же программа передается также на волнах филиппинской радиостанции «Радио Веритас», частота 15.110 кгц., время передач - от понедельника до субботы с 13:30 до 14:00 (по московскому времени), по воскресеньям с 13:30 до 14:30 (по московскому времени).

Если у вас возникнут вопросы, замечания и просьбы, то пишите нам по следующему адресу:

C.R.T.N. - BLAGOVEST  
32 Rue de l'Association  
B-1000 Bruxelles - Belgique (Бельгия)

Der Club  
für Radio-Hören  
rund um den Globus

# RMRC

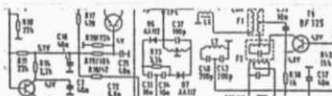
## RHEIN-MAIN-RADIO-CLUB



Jahrgang 16, Nr. 52

# AKTUELL 3 - 90

Fachzeitschrift für Rundfunkfernempfang

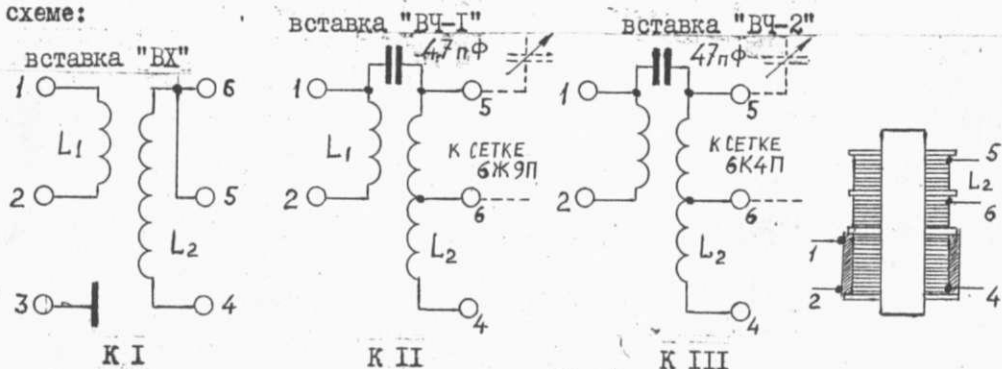


СВ диапазон в приемнике "Р-250".

Высокая надежность и хорошие технические данные приемников типа Р-250(М,М2) позволяют при минимальных затратах деталей и времени осуществлять переделку одного из диапазонов(10 либо 12-ого) для приема станций СВ диапазона. При этом чувствительность приемника остается достаточно высокой, а отсчет частоты производится в участке, соответствующему 2.5-3.5 мГц на I-м поддиапазоне. Поскольку на I-м поддиапазоне ведется прием части СВ диапазона - от 1500 и выше, то на вновь вводимом поддиапазоне достаточно принимать участок от 500 до 1500 кГц.

В данном случае используется следующий способ выбора частоты I-ого гетеродина для супергетеродинного приема с преобразованием "вверх". Т.е. поступившие на вход приемника и усиленные сигналы СВ диапазона 500-1500 кГц поступают на первый смеситель приемника, куда одновременно поступает ВЧ напряжение I-ого гетеродина с частотой 2.0 мГц. В результате сложения этих колебаний выделяется I-ая переменная ПЧ в интервале частот 2.5-3.5 мГц. Все необходимые основные узлы в приемнике уже имеются и остается лишь изменить величины индуктивностей и емкостей во вставках(планках) барабанного переключателя.

Совершенно необязательно удалять ранее установленные детали - достаточно их отпаять от ламелей контактов(если нельзя достать новые вставки). К освободившимся контактам вставок припаиваются новые детали по следующей схеме:



Катушки контуров К1, К2 и К3, L1 и L2 наматываются проводом ПЭЛШО-0.12 (при его отсутствии ПЭД или ПЭВ 0.12-0.14) на отрезках ферритовых стержней для магнитных антенн длиной 35 мм.

Все катушки L2 размещаются в 3-х секциях намоткой "внавал" и содержат 50 + 50 витков. Катушки L1 наматываются поверх катушек L2 в секциях ближе к выводам "4" вставок. L1 вставки "ВХ"(К1) - 40 витков, L1 вставка ВЧ-1 ВЧ-2(К2, К3) по 20 витков.

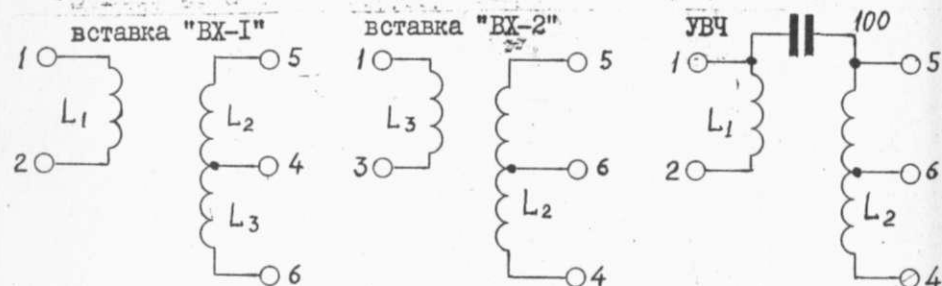
(продолжение на след.стр.)

Единственной дефицитной деталью является кварцевый резонатор на частоту 2.0 мГц, который устанавливается во вставку "ГЕТ" I-ого гетеродина, монтаж которой копирует схему и величины номиналов деталей вставки "ГЕТ" 2-ого поддиапазона. Если резонатора нет, а соблазн послушать СВ велик, можно предложить следующий вариант: произвести переделки вставок ВЧ, ВХ, ВЧ-2, далее временно на поддиапазоне 2(3.5-5.5 мГц) снять соответствующие вставки(вставку "ГЕТ" оставить!) и установить на их место вновь изготовленные.

Дело в том, что I-ый гетеродин 2-ого поддиапазона работает (в участке 4.5-5.5 мГц) на частоте 2.02 мГц, а оптическая шкала 2-ого поддиапазона имеет поправку на 20 кГц. Т.е. в этом случае прием СВ диапазона 500-1500 кГц будет производиться в участке 4.5-5.5 мГц соответственно(4500 кГц будет соответствовать 500, а 5500 - 1500 кГц). Если переделке подверглись поддиапазоны 10 или 12, то прием следует вести на них.

Можно использовать кварц с небольшими отклонениями  $\pm 10-20$  кГц от 2.0 мГц, но при этом будет иметь место погрешность отсчета по шкале, которую можно устранить одним из корректоров. Нумерация дана в соответствии со схемой Р-250М2.

Для приемников Р-250, где схема приселектора иная, можно рекомендовать следующие данные:



L1 и L2 - соот. Р-250М, М2  
L3 по 15 витков ПЭЛШО 0.12

Для Р-250  
(первая модель)

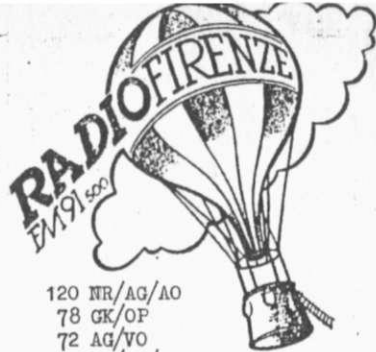
Редакция может предложить и иной путь решения - поместить описание работающих образцов конвертеров к приемнику Р-250 для приема СВ на транзисторах и лампах (для удобства питания).

Игорь ЛЕБЕДИНЕЦ / ДХСЛ I2.

ОТ РЕДАКЦИИ: мы надеемся, что разговор о технической стороне нашего хобби будет продолжен на страницах "ЭДХН" и приглашаем к участию в нем всех читателей. Ваши статьи, заметки и просто замечания по тем или иным вопросам, представляющие интерес для других ДХ-истов, будут с благодарностью опубликованы. Ждем ваших предложений!

# QSL CORNER

## EUROPE



BRT Brussel 9925/12010/13675/21815  
 R.Nederland 17680  
 Vatican Radio 17870  
 R.Scandinavia 9675 (via R.Polonia)  
 R.S.Makedonias 9935  
 RFE/RL 15380  
 RFI ?

Mennonite Brethren Communications  
 11700 (via IBRA)

IRRS Milano 9865  
 R.Club de Angra 909  
 R.Vilnius 6010/9710 (Russian)  
 Missionwerk Werner Heukelbach 1440  
 (via R.Luxemburg)

HKVK (Halmstads Kortvågsklubb) 9610  
 (via HCJB)

R.Iasi 1053 (Romania)

RIAS Berlin 6005  
 DLF 17795 (via DW)

Bayerischer Rundfunk 801/6085

SFB 567  
 RTE 567

WDR 1593  
 Saarl.RF 1422

Hessischer RF 594  
 SWF 666

AFN Europe 1107  
 Europe 1 183

Evangeliums RF 9795  
 Norddeutscher RF 972

R.Bremen 936  
 Y3S Nauen 4525

NOS Flevo 1008  
 RPEF 621

R.Luxembourg 1440  
 R.Wales 882

Manx Radio 1368  
 Inviota Sound 1242

Northsound Radio 1035  
 Capital Radio 1548

Devonair Radio 954  
 Swiss BC 765 Sottens

R.Zagreb 1134  
 R.Ljubljana 918 (now renamed to R.Slovenia - ed.)

Rikisutvarpid 13855 (Ioeland)

o s stick 120 NR/AG/AO  
 o s 78 GK/OP  
 o s cassettes 72 AG/VO  
 o 21 - 54 NR/GG/ACA  
 o info 72 AP  
 o s RR-form 4m AP  
 o s ? AI



o lx info 210 NR  
 o 72 GG  
 o 59 GG  
 o 197 AO  
 o s p lx 205 GG

o lx 49 AO  
 o lx 69 NR  
 o s lx stick 43 NR  
 o 33 NR/AG  
 o 47 ACA, 69 NR

o stick 37 ACA  
 o lx info 40 ACA  
 o stick 36 ACA  
 o s stick 41 ACA  
 o stick 42 ACA  
 o 30 ACA  
 o 41 ACA  
 o 27 ACA

o s lx stick 53 ACA  
 o s info 7stick(!) 48 ACA  
 o stick 48 ACA  
 o 77 ACA  
 o info 209 ACA  
 o stick 56 ACA  
 o s stick info 36 ACA

lx stick 33 ACA  
 o stick 74 ACA  
 o 90 ACA  
 o lx stick 50 ACA  
 o stick 48 ACA  
 o stick poster 41 ACA

o 44 ACA  
 o 80 ACA

o 62 ACA  
 o 46 ACA

ABBREVIATIONS :  
 o - card  
 s - schedule  
 lx - letter  
 p - pennant  
 stick - stick  
 cal - calendar  
 n/d - non data  
 Svc - Service

AWR-BOX 2590  
 1114 LISBOA CODEX  
 PORTUGAL



GREEK  
 RADIO  
 TELEVISION



Adventist World Radio  
 Europe



Sender  
 Freies Berlin  
 Masurenallee 8-14  
 1000 Berlin 19  
 Telefon 3031-0



some high power European stations are omitted.

## ASIA - PACIFIC

NHK Jamata 9580  
 R.Beijing 7670/9945  
 KTWR Guam 11650  
 R.Pyongyang 9325  
 Bayrak Radio 1098  
 (sent to: BRTK-Bayrak-Radio and TV, Ataturk Square - Lefkosa, Mersin 10, Turkey.  
 reply from Cyprus)

R.Ulaanbaatar Home See 4080  
 VoUAE Abu Dhabi 11965/13605  
 R.Australia 15485/21825  
 Kol Israel 11585/17575  
 R.New Zealand 15485/17680  
 HLKX/HLAZ 1188/1566  
 R.Bangladesh 15195  
 FEBC MANILA 9845/11850  
 R.Veritas-Asia 15110/15445  
 VoPeople of Cambodia  
 R.Tampa 9595 (Japan)  
 VoIndonesia 9675  
 VoFC 9765/11860/15270  
 KSDA ?

o lx info ? GM  
 folder s 70 NR/ACA  
 o s lx info 38-50 NR/VO  
 o s p lx info booklet magazine 53-147 NR/AP  
 o s p lx magazine 60-283 FB/GG/VO  
 o s booklet 40 FB  
 o s lx Bangladesh Calling 89 FB  
 o s lx 84 FB/AO  
 o p RR-form magazine 86 FB/52 ACA  
 o s lx stamps 98 FB  
 oss 70 FB  
 o s 56 FB  
 o s lx stick booklets 106 AG/AO  
 ? ? AG

Xinjiang FBS 5060  
 R.Aden Yemen 5970/7190  
 Addr. : PO Box 1256 Tawai, Aden, Yemen PDR  
 v3 v/s A.Burhan, Director General YTC.

R.Baghdad 11795  
 R. Kuwait 11665  
 WYFR via Taiwan 9955  
 KFBS 9465/11650  
 Singapore BC 5010  
 CPBS Beijing 4850  
 Nei Mengu PBS, Hohhot  
 KBS Seoul 9515



KBS  
 RADIO KOREA

18, Yoido-dong,  
 Youngjung-gu,  
 Seoul, Korea

216 ACA  
 61 ACA  
 36 ACA  
 50 ACA/OP  
 43 ACA  
 39 ACA  
 102 VO  
 59 VO

## AFRICA

RTA Algeria 252  
 R.Cairo 9900  
 RSA 17765/21590  
 R.Algiers 15160  
 AWR-Africa 9625  
 R.Africa, Eq.Guinea 7190  
 R.Tanzania Zanzibar 11734  
 Medi 1 9575  
 FEBA 11760  
 VoNigeria 4990  
 RR.Mozambique 9618  
 RTM Rabat  
 R.Japan, Moyabi 21695

n/d card s RR-form 41 VO  
 o s cal 119 FB  
 o p lx stick 90-130 AG/AP/AO  
 o s RR-form 92 GG  
 o p info 126 GG  
 o 72 GG  
 lx (IRC) 91 GG

o s info stick 255AO/374 ACA  
 o s stick 117 ACA  
 o 88 ACA  
 o 46 ACA  
 o UAE RADIO & TELEVISION - DUBAI 83 ACA  
 o s P. O. BOX 1696 31 ACA  
 DUBAI - U. A. E.



## AMERICA

WYFR 7355/9680  
 KNLS 7405  
 REC 15350  
 El Espectador (URG) 11835  
 WRNO 13720/13760  
 R.Tachira (VEN) 4830  
 WHRI 7400/13760

o s magazines 279 VP/AG/AO  
 o s lx info newspapers 93 VP/AG  
 o s cal 141 AG/ACA  
 o stick keyring 50 GG  
 o s stick 155 GG/ACA 810 VO  
 o lx 1 year GG/232 ACA  
 o info 111 IK/ACA



Voice of Asia  
 P. O. Box 880, Kaohsiung,  
 Taiwan, Republic of China





AMERICA (Continued)

WCEN 9850	c s booklet
WVCR 15690	c s
R. Clarin 11700	folder
HCJB 9610/11835	c s p stick
WINB Red Lion 15145	c s
WV 10000	c info
R. Atlántida 4790	c lx info
R. Aparecida 5035	c
Radiobras 15265	c stick RR-form
R. Cultura do Pará 5045	c booklet
IN da Amazônia 6180	lx stick
R. Canção Nova 4825	c stick ctamps
RAE Argentina 15345	c s
La Voz de OAS 15160	c lx info magazine

Your contributions are always welcome!

Alexey Osipov  
Kazanskaya 4-87  
Leningrad 195213

118 VP
194 ACA
305 ACA
60 ACA/VO
92 VO
38 ACA
175 ACA
90 ACA
84ACA
53 ACA
83 ACA
208 ACA
217 ACA
59 ACA

U S S R

R. Rodina 15230	o	18 NR
R. Baku 1 4785	lx	41 AP
R. Baku 2 "Araz" 4957	lx s	12 AP
R. Baku (Persian) 6110	o	17 AP
R. Atlantica Murmansk 15540	lx s	18 AP
R. Simferopol 648	lx	55 AP
R. Cherkessk 1251	c s	55 AP
R. Kiev 9560	c RR-form cal	73 VO
R. Kiev 2 "Promin" ?	R. Kiev QSL card lx	38 AP
R. Ashkhabad 4825	lx	32 AP
R. Kuybyshev 1143	o	40 AP
R. Kishinev 999/6075	o	10 AP/ 18 NR
R. Voronezh 774	lx s	17 AP
R. Krasnodar 1089	lx s	13 AP
R. Maykop 1089 (via Krasnodar)	lx	21 AP
R. Syktyvkar ?	lx s	19 AP
R. Tashkent ?	lx s	21 AP
R. Vladikavkaz ?	lx s	13 AP
R. Yerevan 9480/12065	c s lx	25-65 ACA/VO



**WINB**  
**SHORT-WAVE**  
BOX 88, RED LION, PA. 17356

Thanks to 15 contributors :

- |                                      |                                     |
|--------------------------------------|-------------------------------------|
| ACA - Andres Aule, Tallinn           | GM - Gennady Mironovich, Brest.obl. |
| AG - Alexey Gulevsky, Zaporozhje     | IK - Igor Karivetz, Lvov            |
| AI - Alexander Ivanov, Tallinn       | NR - Nikolai Rudnev, Belgorod       |
| AO - Alexey Osipov, Leningrad        | OP - Oleg Panko, Brest              |
| AP - Alexey Puteev, Taganrog         | VI - Vladislav Ilyin, Irkutsk       |
| FB - Fedor Brazhnikov, Irkutsk       | VO - Valery Ostroverkh, Kareganda   |
| GG - Grigory Grigoriev, Leningr.obl. | VP - Valery Petukhov, Minsk         |
| GK - Gennady Kurbanov, Chardjou      |                                     |

Статья об IRC  
смотри на стр. 31  
C 22

This coupon is exchangeable in any country of the Universal Postal Union for more postage stamps representing the minimum postage for an unregistered letter by surface to a foreign country.

القسيمة قابلة للاستبدال في جميع بلاد الاتحاد البريدي العالمي مقابل طابع بري او طابع بري يمثل قيمة التحصيل الدنيا على رسالة عادية مرسلة للخارج بالطريق السطحي.

此券可在万国邮政联盟各国兑换等于；往国外一封水陆路平信起重资费的邮票

Este cupón podrá canjarse en todos los países de la Unión Postal Universal por un o varios sellos postales que representen el franco mínimo de una carta ordinaria expedida al extranjero por vía de superficie.

Этот купон обменивается по всем странам Всемирного почтового союза на одну или несколько почтовых марок, представляющих минимальную стоимость оплаты простого письма, отправленного за границу наземным путем.



UNION POSTALE  
UNIVERSELLE

COUPON-REPONSE  
INTERNATIONAL

Ce coupon est échangeable dans tous les pays de l'Union postale universelle contre un ou plusieurs timbres-poste représentant l'affranchissement minimal d'une lettre ordinaire, expédiée à l'étranger par voie de surface.

Empreinte de contrôle du pays d'origine

CENTRO CORRISP. O.

-7-4.88

Prix de vente (indication facultative)

1500 LIRE

Timbre du bureau qui effectue l'échange

МЕЖДУНАРОДНЫЕ ОТВЕТНЫЕ КУПОНЫ

Международные ответные купоны (International Reply Coupons) дают возможность посылающему письмо за границу оплатить ожидающийся ответ, вложив в конверт IRC. Его зарубежный корреспондент может обменять этот купон на сумму почтовых расходов, необходимых для отсылки простого письма (обычно до 20 гр) наземной почтой. Обмен совершается им в своем местном почтовом отделении.

С 1 января 1975 года международные ответные купоны печатаются голубой типографской краской на бумаге, имеющей водяные знаки "UPU" (Universal Postal Union - всемирный почтовый союз). На лицевой стороне купона на французском языке рассказывается о том, как его использовать. Обратная сторона содержит такую же информацию на арабском, китайском, английском, немецком, русском и испанском языках. Каких либо ограничений в сроках обмена IRC нет.

Международный банк UPU получает заявки на IRC -з от стран-членов всемирного почтового союза. Такие заявки могут включать индивидуальные данные, например, продажную цену, указываемую той или иной страной. Тем не менее все купоны почти идентичны по внешнему виду. Странам разрешено увеличивать номинальную стоимость на минимальную величину, установленную UPU. Поэтому IRC - стоят неодинаково в разных странах, тем не менее, один купон может быть обменен на сумму почтовых расходов, необходимую для отправки письма обычной почтой.

На 1 сентября 1985 г. во всемирном почтовом союзе состояло 168 стран. Все из этих стран выкупают IRC, однако, почтовые службы в некоторых странах (включая свои и зависимые территории) не продают международные ответные купоны. Сюда относятся: Антигуа и Барбуда, Бахрейн, Бутан, Боливия, Болгария, Камбоджа, Острова Кайман, Китай, Куба, Чехословакия, Доминика, Доминиканская республика, Фолклендские острова, ГДР, Северная Корея, Монголия, Гренада Венгрия, Ирландия, Кирибати, Монтсеррат, Мозамбик, Непал, Острова Питкэрн, Катар, Сент-Кристофер и Невис, Сент-Люция, Сент-Винцент и Гренадины, Саудовская Аравия, Соломоновы о-ва, Южная Африка, Сирия, Тайвань, Гонга, Тувалу, СССР, Ватикан, Вьетнам, Виргинские о-ва, Народная Демократическая Республика Йенен, Зайр, Зимбабве.

WRTH-1987 стр.381  
перевел Олег Панько

224023 Брест 23  
А.А. 42

Олег Панько

Кстати, Олег собирает информацию о вымпелах радиостанций и просит сообщить ему всё, связанное с ними /какие станции и языковые секции вымпелы, из какого материала сделан вымпел, за какие заслуги предоставляется, и т.п./